



CM 19-02

Hi-Way Robbery

RULES: USPSA Handgun Competition Rules, current edition. Course Designer: David Jenkins

STAGE PROCEDURE

Start Position: Standing in the shooting area, wrist below belt, heels touching rear fault-line

Gun Ready Condition: Loaded and holstered
On signal engage targets as available.

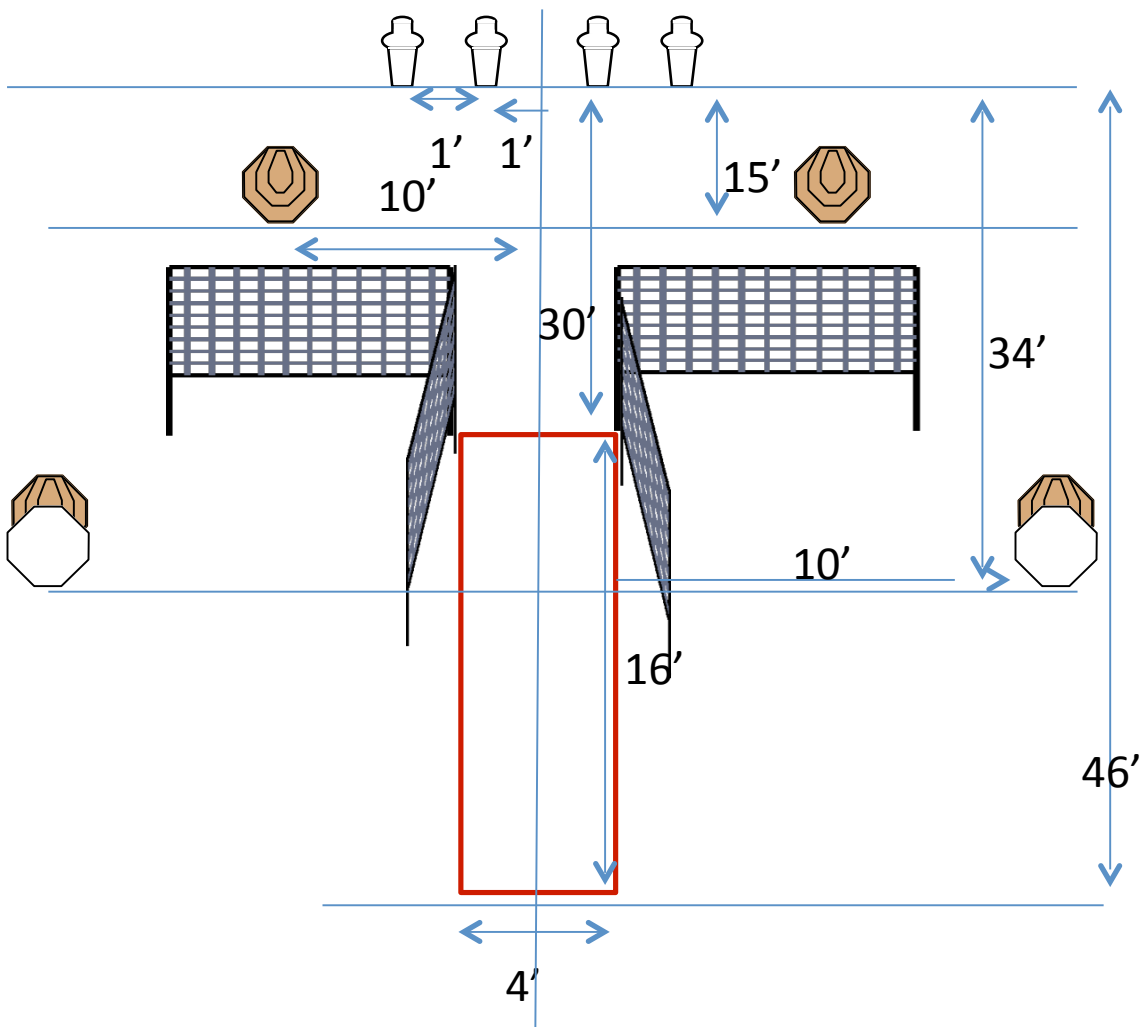
Scoring: Comstock ,12 Rounds

Targets: 4 IPSC, 4 USPSA Mini PP

Scored Hits: Best 2 Steel 1 A

Start - Stop: Audible - Last Shot

Penalties: Per current edition of USPSA Handgun Competition Rules.



SETUP NOTES: Targets are 5' to top of target, NS are "point to point" at the A zone letter. Targets are spaced edge to edge. Up-range walls placed right against faultline.



CM 19-02

Hi-Way Robbery

Hi-Way Robbery is a 12 round, 60-point, Comstock Short Course. There are 4 IPSC targets and 4 USPSA mini poppers. The best 2 hits per cardboard will score and steel must fall to score.

The handgun start position is standing inside shooting area, facing downrange, heels touching rear fault line, wrists below belt with handgun loaded and holstered.

The PCC start position is standing inside shooting area, facing downrange, heels touching rear fault line, holding loaded PCC with safety on, stock on belt, and muzzle pointing downrange.

On the audible start signal, engage targets as they become available from within the shooting area.



Stage 2

Double Port

SCORING: This is a 24 round, 120 point, Comstock course of fire.

TARGETS: 11 USPSA targets and 2 Colt Speed Steel.

SCORED HITS: Best 2 per USPSA, steel down = 1A

START-STOP: Audible - Last shot

PENALTIES: Per the current edition of the USPSA Rule Book.

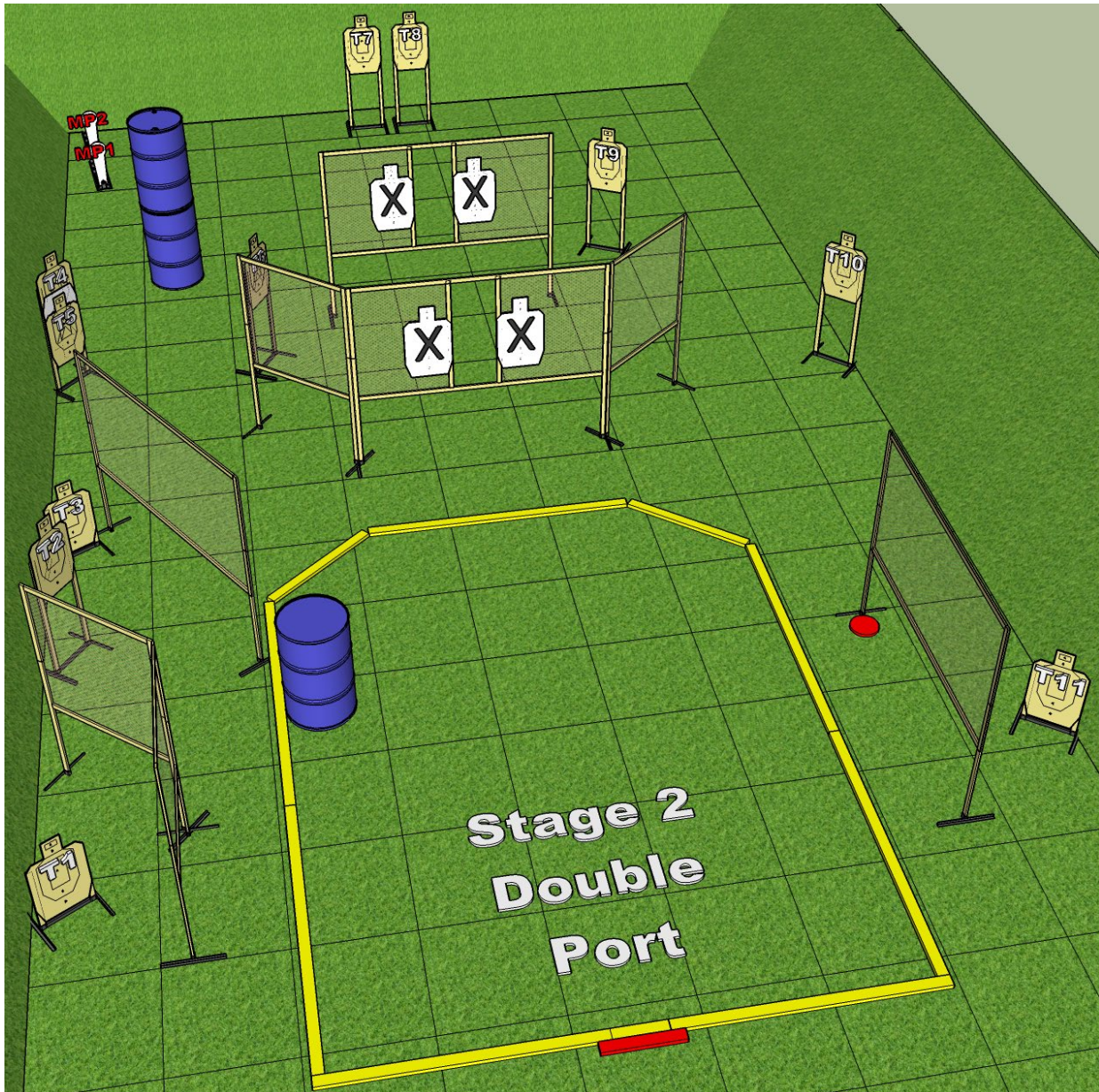
STARTING POSITION: Facing downrange, with toes touching Start Stick and wrists below belt. Handgun is loaded and holstered.

PCC is facing downrange with toes touching Start Stick. PCC is loaded, held in both hands, stock touching belt and muzzle pointed at cone.

STAGE PROCEDURE: Upon start signal, engage targets from within the shooting area.

Are there any questions?

You have 5 minutes to walk the stage...good luck!



Stage 2

Double Port

TGT	A	C	D	M	
USE NUMBERS - NOT HASH MARKS					
T1	<input type="text"/>	<input type="text"/>	<input type="text"/>	<input type="text"/>	2
T2	<input type="text"/>	<input type="text"/>	<input type="text"/>	<input type="text"/>	2
T3	<input type="text"/>	<input type="text"/>	<input type="text"/>	<input type="text"/>	2
T4	<input type="text"/>	<input type="text"/>	<input type="text"/>	<input type="text"/>	2
T5	<input type="text"/>	<input type="text"/>	<input type="text"/>	<input type="text"/>	2
T6	<input type="text"/>	<input type="text"/>	<input type="text"/>	<input type="text"/>	2
T7	<input type="text"/>	<input type="text"/>	<input type="text"/>	<input type="text"/>	2
T8	<input type="text"/>	<input type="text"/>	<input type="text"/>	<input type="text"/>	2
T9	<input type="text"/>	<input type="text"/>	<input type="text"/>	<input type="text"/>	2
T10	<input type="text"/>	<input type="text"/>	<input type="text"/>	<input type="text"/>	2
T11	<input type="text"/>	<input type="text"/>	<input type="text"/>	<input type="text"/>	2
STL	<input type="text"/>			<input type="text"/>	2

TOTAL HITS	<input type="text"/>	<input type="text"/>	<input type="text"/>	<input type="text"/>	24
MAJ	X5	X4	X2	X-10	
MIN	X5	X3	X1	X-10	

STATS ONLY

<input type="text"/>	<input type="text"/>	<input type="text"/>	<input type="text"/>	=	<input type="text"/>
MINUS PENALTIES OF					
EQUALS TOTAL SCORE					
DIVIDED BY TIME OF					
HIT FACTOR =					
(3 DECIMAL PLACES)					

COMSTOCK PENALTIES

PROCEDURAL (-10 EACH)

NO-SHOOT HIT (-10 EACH)

TIME

TOTAL TIME

SHOOTER NUMBER **Open Limited L-10 SS Prod Carry Optics PCC Revolver** MAJOR minor

NAME USPSA #

Stage 3

Don't Miss

SCORING: This is a 19 round, 95 point, Comstock course of fire.

TARGETS: 9 USPSA targets, 1 USPSA Popper

SCORED HITS: Best 2 per USPSA, steel down = 1A

START-STOP: Audible - Last shot

PENALTIES: Per the current edition of the USPSA Rule Book.

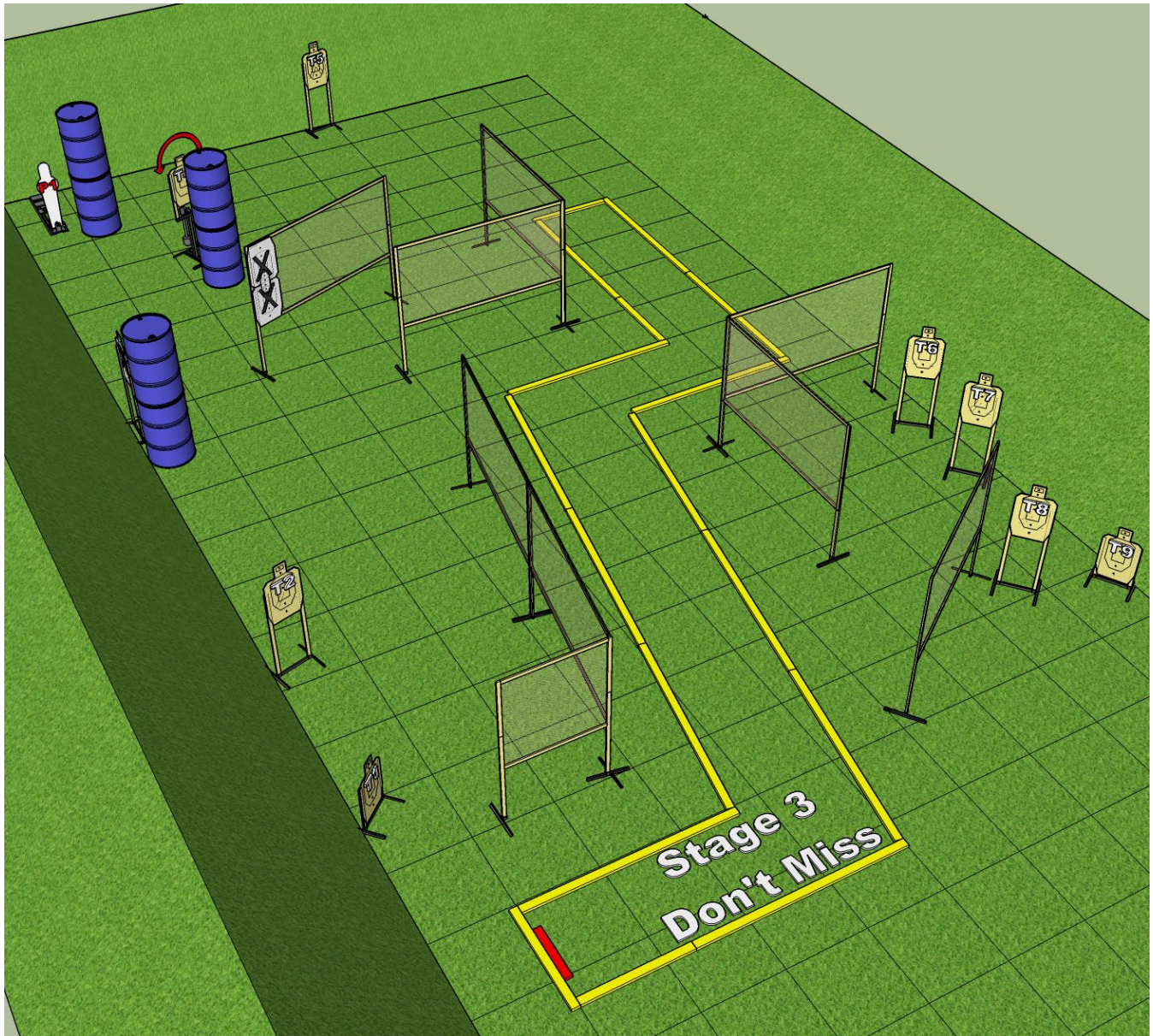
STARTING POSITION: Facing downrange, with feet touching Start Stick and wrists below belt. Handgun is loaded and holstered.

PCC is facing downrange with feet touching Start Stick. PCC is loaded, held in both hands, stock touching belt and muzzle pointed downrange.

STAGE PROCEDURE: Upon start signal, engage targets from within the shooting area.

Are there any questions?

You have 5 minutes to walk the stage...good luck!



Stage 3

Don't Miss

TGT	A	C	D	M	
USE NUMBERS - NOT HASH MARKS					
T1	<input type="text"/>	<input type="text"/>	<input type="text"/>	<input type="text"/>	2
T2	<input type="text"/>	<input type="text"/>	<input type="text"/>	<input type="text"/>	2
T3	<input type="text"/>	<input type="text"/>	<input type="text"/>	<input type="text"/>	2
T4	<input type="text"/>	<input type="text"/>	<input type="text"/>	<input type="text"/>	2
T5	<input type="text"/>	<input type="text"/>	<input type="text"/>	<input type="text"/>	2
T6	<input type="text"/>	<input type="text"/>	<input type="text"/>	<input type="text"/>	2
T7	<input type="text"/>	<input type="text"/>	<input type="text"/>	<input type="text"/>	2
T8	<input type="text"/>	<input type="text"/>	<input type="text"/>	<input type="text"/>	2
T9	<input type="text"/>	<input type="text"/>	<input type="text"/>	<input type="text"/>	2
STL	<input type="text"/>			<input type="text"/>	1
TOTAL HITS	<input type="text"/>	<input type="text"/>	<input type="text"/>	<input type="text"/>	19
MAJ	X5	X4	X2	X-10	
MIN	X5	X3	X1	X-10	

COMSTOCK PENALTIES

PROCEDURAL (-10 EACH)

NO-SHOOT HIT (-10 EACH)

TIME

TOTAL TIME

.

STATS ONLY =

MINUS PENALTIES OF

EQUALS TOTAL SCORE

DIVIDED BY TIME OF

HIT FACTOR =

(3 DECIMAL PLACES)

SHOOTER NUMBER **Open Limited L-10 SS Prod Carry Optics PCC Revolver** MAJOR minor

NAME _____ USPSA # _____

Stage 4

September Is For Blazing

SCORING: This is a 32 round, 160 point, Comstock course of fire.

TARGETS: 16 USPSA targets

SCORED HITS: Best 2 per USPSA

START-STOP: Audible - Last shot

PENALTIES: Per the current edition of the USPSA Rule Book.

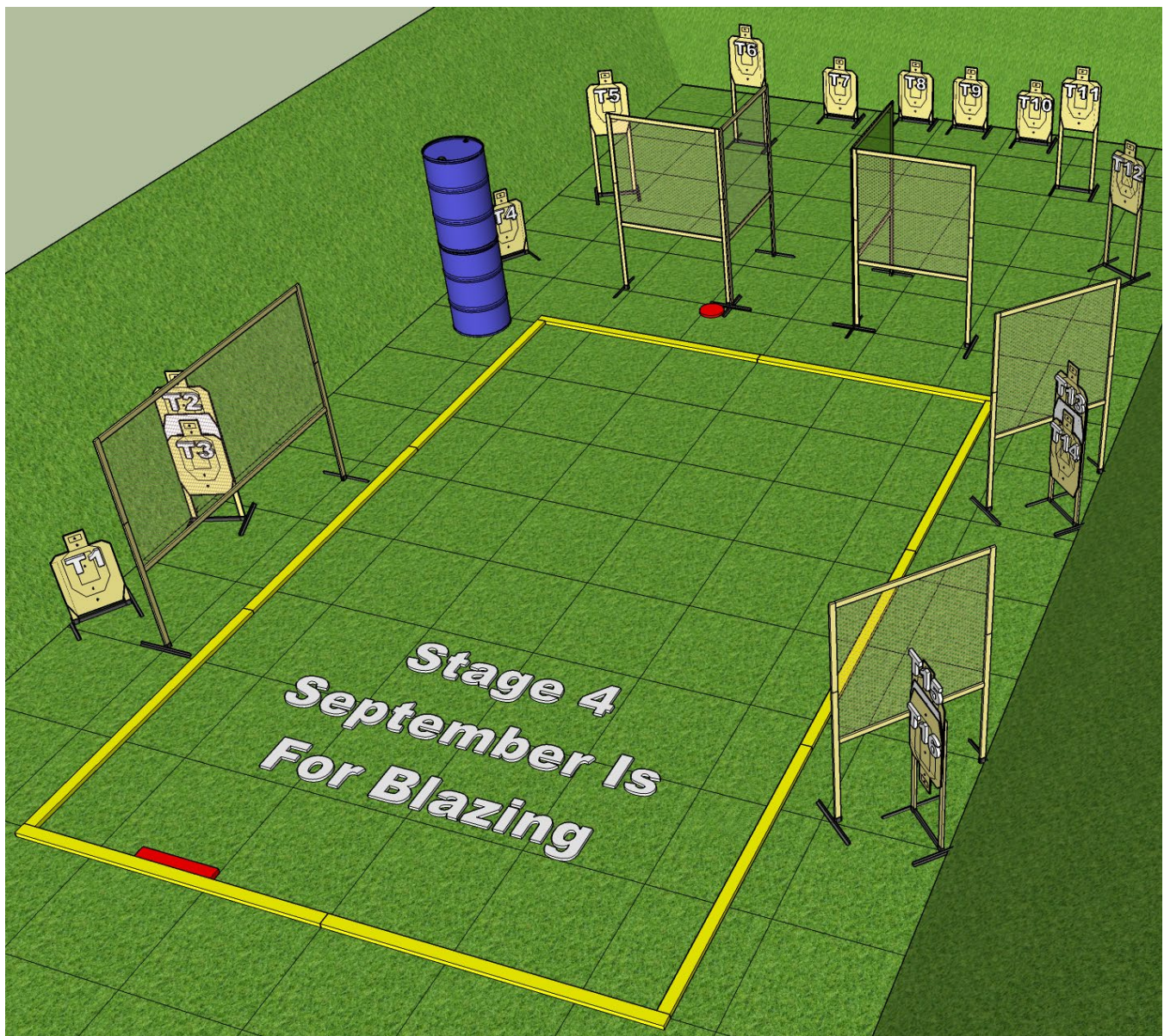
STARTING POSITION: Facing downrange, with feet touching Start Stick and wrists below belt. Handgun is loaded and holstered.

PCC is facing downrange with feet touching Start Stick. PCC is loaded, held in both hands, stock touching belt and muzzle pointed at cone.

STAGE PROCEDURE: Upon start signal, engage targets from within the shooting area.

Are there any questions?

You have 5 minutes to walk the stage...good luck!



Stage 4

September Is For Blazing

TGT	A	C	D	M	
USE NUMBERS - NOT HASH MARKS					
T1	<input type="text"/>	<input type="text"/>	<input type="text"/>	<input type="text"/>	2
T2	<input type="text"/>	<input type="text"/>	<input type="text"/>	<input type="text"/>	2
T3	<input type="text"/>	<input type="text"/>	<input type="text"/>	<input type="text"/>	2
T4	<input type="text"/>	<input type="text"/>	<input type="text"/>	<input type="text"/>	2
T5	<input type="text"/>	<input type="text"/>	<input type="text"/>	<input type="text"/>	2
T6	<input type="text"/>	<input type="text"/>	<input type="text"/>	<input type="text"/>	2
T7	<input type="text"/>	<input type="text"/>	<input type="text"/>	<input type="text"/>	2
T8	<input type="text"/>	<input type="text"/>	<input type="text"/>	<input type="text"/>	2
T9	<input type="text"/>	<input type="text"/>	<input type="text"/>	<input type="text"/>	2
T10	<input type="text"/>	<input type="text"/>	<input type="text"/>	<input type="text"/>	2
T11	<input type="text"/>	<input type="text"/>	<input type="text"/>	<input type="text"/>	2
T12	<input type="text"/>	<input type="text"/>	<input type="text"/>	<input type="text"/>	2
T13	<input type="text"/>	<input type="text"/>	<input type="text"/>	<input type="text"/>	2
T14	<input type="text"/>	<input type="text"/>	<input type="text"/>	<input type="text"/>	2
T15	<input type="text"/>	<input type="text"/>	<input type="text"/>	<input type="text"/>	2
T16	<input type="text"/>	<input type="text"/>	<input type="text"/>	<input type="text"/>	2

TOTAL HITS	<input type="text"/>	<input type="text"/>	<input type="text"/>	<input type="text"/>	32
MAJ	X5	X4	X2	X-10	
MIN	X5	X3	X1	X-10	

COMSTOCK PENALTIES

PROCEDURAL (-10 EACH)

NO-SHOOT HIT (-10 EACH)

TIME

TOTAL TIME

STATS ONLY =

MINUS PENALTIES OF

EQUALS TOTAL SCORE

DIVIDED BY TIME OF

HIT FACTOR =

(3 DECIMAL PLACES)

SHOOTER NUMBER **Open Limited L-10 SS Prod Carry Optics PCC Revolver** **MAJOR** **minor**

NAME _____ USPSA # _____

Stage 5

September Speed

SCORING: This is a 12 round, 60 point, Comstock course of fire.

TARGETS: 6 USPSA targets, 2 USPSA Poppers, 2 Speed Steel and 2 USPSA Mini Poppers.

SCORED HITS: Best 1 per USPSA, steel down = 1A

START-STOP: Audible - Last shot

PENALTIES: Per the current edition of the USPSA Rule Book.

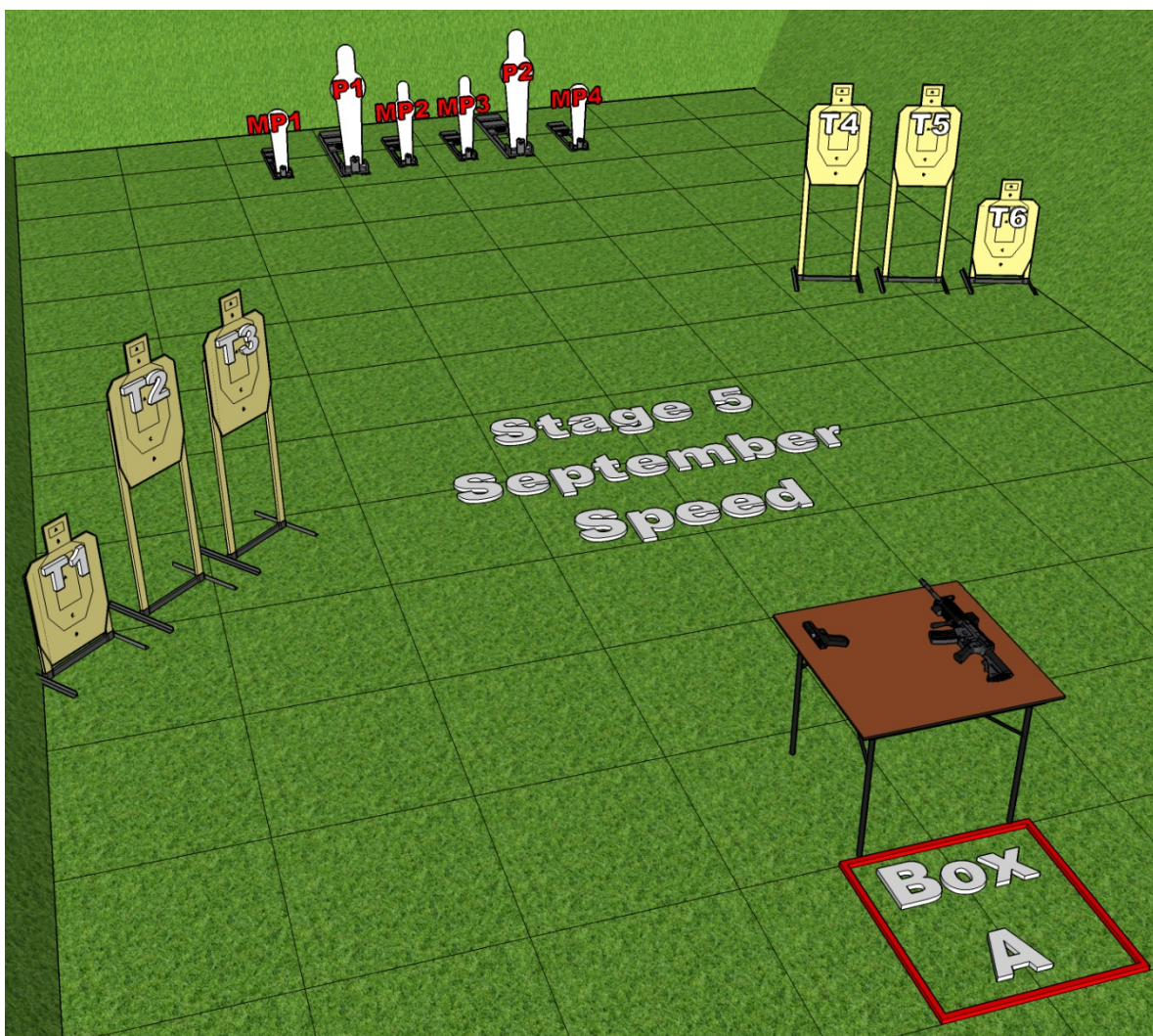
STARTING POSITION: Facing downrange, standing in Box A and wrists above shoulders. Handgun is loaded and placed on table with muzzle pointed downrange. Handgun must be wholly on the table.

PCC is facing downrange standing in Box A and wrists above shoulders. PCC is loaded and placed on table with muzzle pointed downrange. Muzzle may extend past the front end of the table.

STAGE PROCEDURE: Upon start signal, engage Array #1 (6 USPSA Targets) with one (1) round each or Array #2 (Steel). Make a Mandatory Reload and engage remaining array.

Are there any questions?

You have 5 minutes to walk the stage...good luck!



Stage 5

September Speed

TGT	A	C	D	M	
USE NUMBERS - NOT HASH MARKS					
T1	<input type="text"/>	<input type="text"/>	<input type="text"/>	<input type="text"/>	1
T2	<input type="text"/>	<input type="text"/>	<input type="text"/>	<input type="text"/>	1
T3	<input type="text"/>	<input type="text"/>	<input type="text"/>	<input type="text"/>	1
T4	<input type="text"/>	<input type="text"/>	<input type="text"/>	<input type="text"/>	1
T5	<input type="text"/>	<input type="text"/>	<input type="text"/>	<input type="text"/>	1
T6	<input type="text"/>	<input type="text"/>	<input type="text"/>	<input type="text"/>	1
STL	<input type="text"/>			<input type="text"/>	6

TOTAL HITS	<input type="text"/>	<input type="text"/>	<input type="text"/>	<input type="text"/>	12
MAJ	X5	X4	X2	X-10	
MIN	X5	X3	X1	X-10	

COMSTOCK PENALTIES

PROCEDURAL (-10 EACH)

NO-SHOOT HIT (-10 EACH)

TIME

TOTAL TIME

STATS ONLY =

MINUS PENALTIES OF

EQUALS TOTAL SCORE

DIVIDED BY TIME OF

HIT FACTOR =

(3 DECIMAL PLACES)

SHOOTER NUMBER **Open Limited L-10 SS Prod Carry Optics PCC Revolver** **MAJOR** **minor**

NAME _____ USPSA # _____

Stage 6

Stolen From Tennessee

SCORING: This is a 22 round, 110 point, Comstock course of fire.

TARGETS: 8 USPSA targets, 6 USPSA Poppers

SCORED HITS: Best 2 per USPSA, steel down = 1A

START-STOP: Audible - Last shot

PENALTIES: Per the current edition of the USPSA Rule Book.

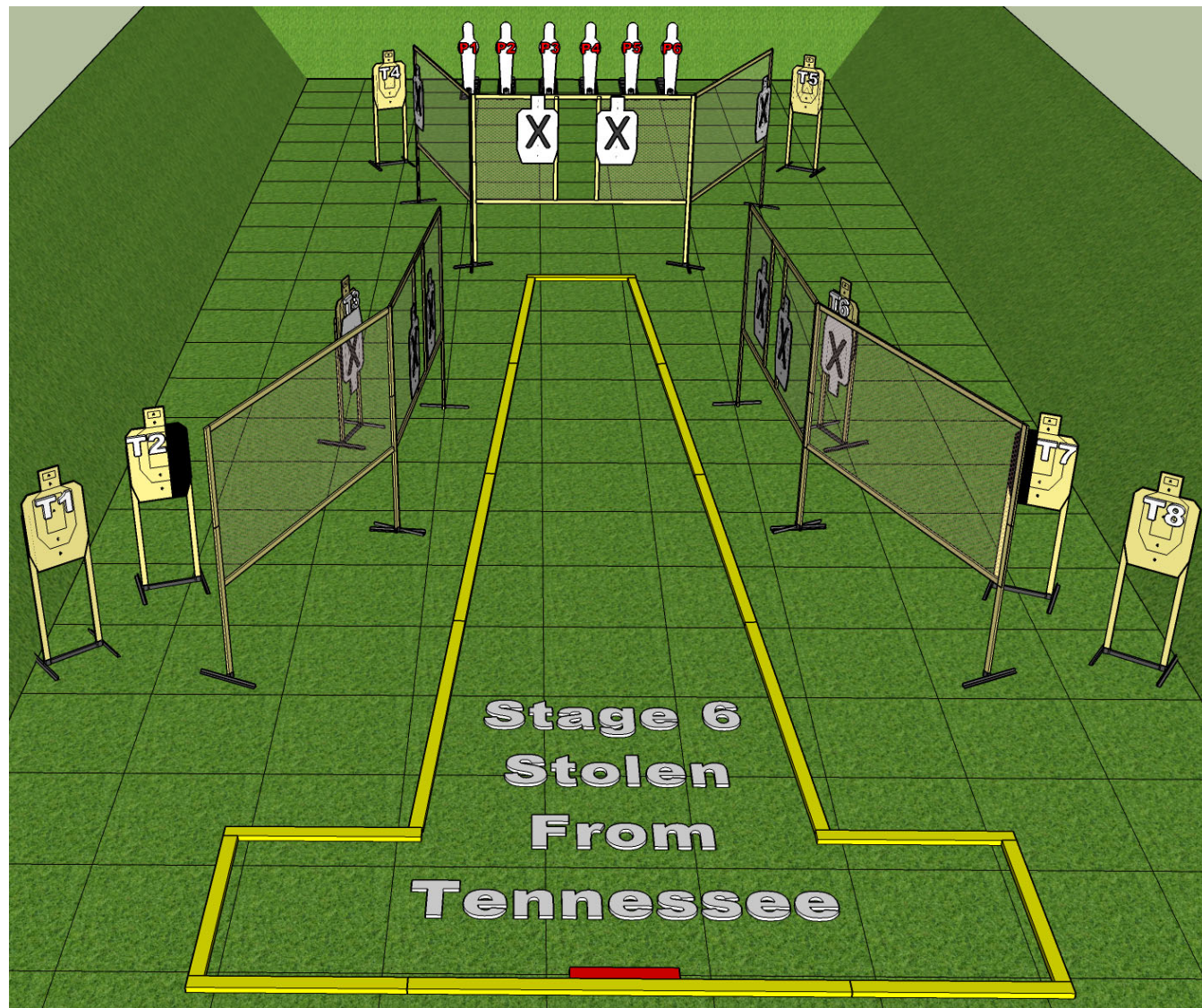
STARTING POSITION: Facing downrange, with feet touching Start Stick and wrists below belt. Handgun is loaded and holstered.

PCC is facing downrange with feet touching Start Stick. PCC is loaded, held in both hands, stock touching belt and muzzle pointed downrange.

STAGE PROCEDURE: Upon start signal, engage targets from within the shooting area.

Are there any questions?

You have 5 minutes to walk the stage...good luck!



Stage 6

Stolen From Tennessee

TGT	A	C	D	M	
USE NUMBERS - NOT HASH MARKS					
T1	<input type="text"/>	<input type="text"/>	<input type="text"/>	<input type="text"/>	2
T2	<input type="text"/>	<input type="text"/>	<input type="text"/>	<input type="text"/>	2
T3	<input type="text"/>	<input type="text"/>	<input type="text"/>	<input type="text"/>	2
T4	<input type="text"/>	<input type="text"/>	<input type="text"/>	<input type="text"/>	2
T5	<input type="text"/>	<input type="text"/>	<input type="text"/>	<input type="text"/>	2
T6	<input type="text"/>	<input type="text"/>	<input type="text"/>	<input type="text"/>	2
T7	<input type="text"/>	<input type="text"/>	<input type="text"/>	<input type="text"/>	2
T8	<input type="text"/>	<input type="text"/>			2
STL					6
TOTAL HITS	<input type="text"/>	<input type="text"/>	<input type="text"/>	<input type="text"/>	22
MAJ	X5	X4	X2	X-10	
MIN	X5	X3	X1	X-10	
STATS ONLY					

MINUS PENALTIES OF
 EQUALS TOTAL SCORE
 DIVIDED BY TIME OF
 HIT FACTOR =
 (3 DECIMAL PLACES)

SHOOTER NUMBER	Open Limited L-10 SS Prod Carry Optics PCC Revolver	MAJOR minor
----------------	---	-------------

<input type="text"/>	NAME _____	USPSA # _____
----------------------	------------	---------------